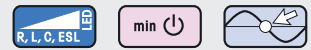


## LUD12-230V



**Capacity enhancer for universal dimmer switches. Power MOSFET up to 400W. Standby loss 0.1 watt only.**

Modular device for DIN EN 60715 TH35 rail mounting. 1 module = 18mm wide, 58mm deep. Capacity enhancers LUD12-230V can be connected to the universal dimmer switches EUD12D, SUD12 (1-10V input) and the multifunction time relay MFZ12PMD. By this the switching capacity for **one lamp** will be increased up to 200W or **alternatively for additional lamps** up to 400W per each capacity enhancer.

Dimmable energy saving lamps and dimmable 230V LED lamps are also dependent on the lamp electronics.

Both switching modes for increase of capacity can be executed simultaneously.

Automatic lamp detection in the "Capacity increase **with additional lamps**" setting.

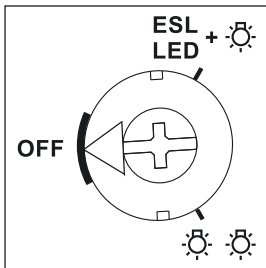
Supply voltage 230V.

Automatic electronic overload protection and over-temperature switch-off.

In the mode "Increase of capacity with additional lamps" the kind of load of a capacity enhancer LUD12-230V can vary from the kind of load of the universal impulse dimmer switch.

**Therefore it is possible to mix L loads and C loads.**

### Function rotary switch



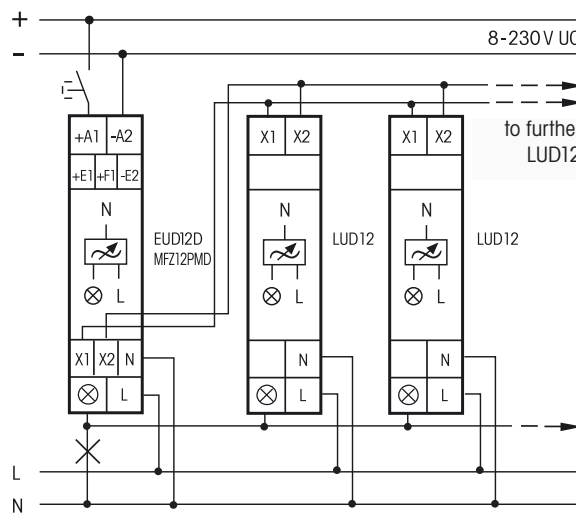
Standard setting ex works.

The switching mode "one lamp" (☼) or "additional lamps" (☼☼) is set with a rotary switch on the front.

**This setting must be same as the actual installation, otherwise there is a risk of destruction of the electronics.**

Alternative setting for ESL and 230V LED when the universal dimmer switch is operated in the ESL or LED comfort settings. See page 13-8.

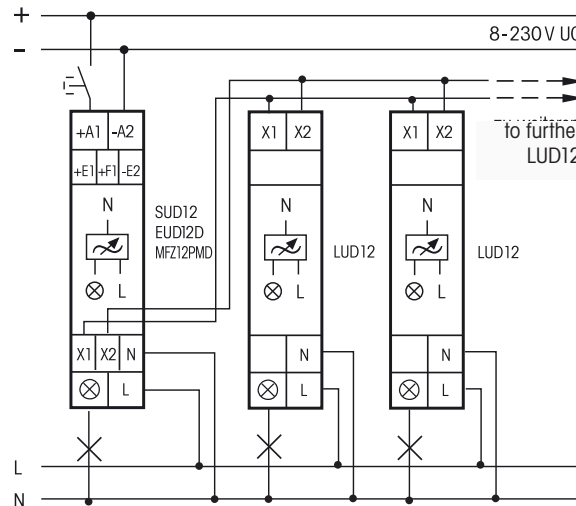
### Increase of capacity for one lamp (☼), ESL and LED see next page



#### EUD12D and MFZ12PMD:

1.-9. LUD12 + up to 200W each

### Increase of capacity with additional lamps (☼☼), ESL and LED see next page



#### EUD12D, SUD12 and MFZ12PMD:

1.-8. LUD12 + up to 400W

Technical data page 9-27.

Housing for operating instructions GBA12, see accessories, chapter Z.

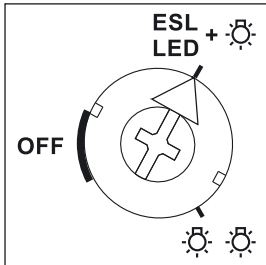
**LUD12-230V** Power MOSFET up to 400W

EAN 4010312107867

**62,20 €/pc.**

## Capacity increase with capacity enhancer LUD12 for ESL dimmable energy saving lamps and dimmable 230V LED lamps in the ESL and LED comfort settings.

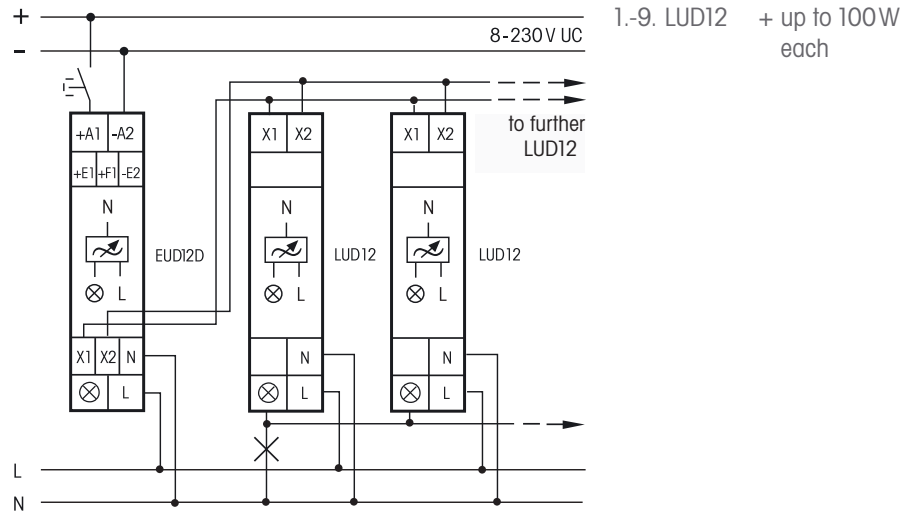
### Function rotary switch



This setting must be made on the front panel of ESL and 230V LED lamps if the universal dimmer switch is operated in the ESL or LED comfort settings. Also for capacity increase with additional lamps.

**Otherwise there is a risk of destruction of the electronics.**

### Increase of capacity for one lamp



### Increase of capacity with additional lamps

